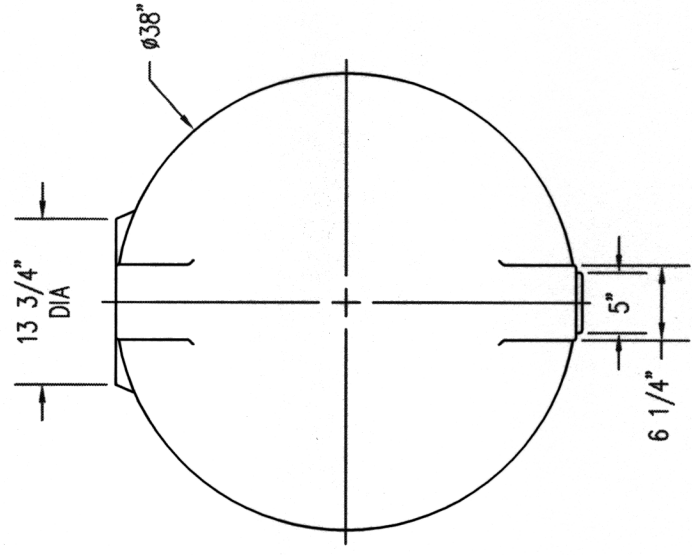
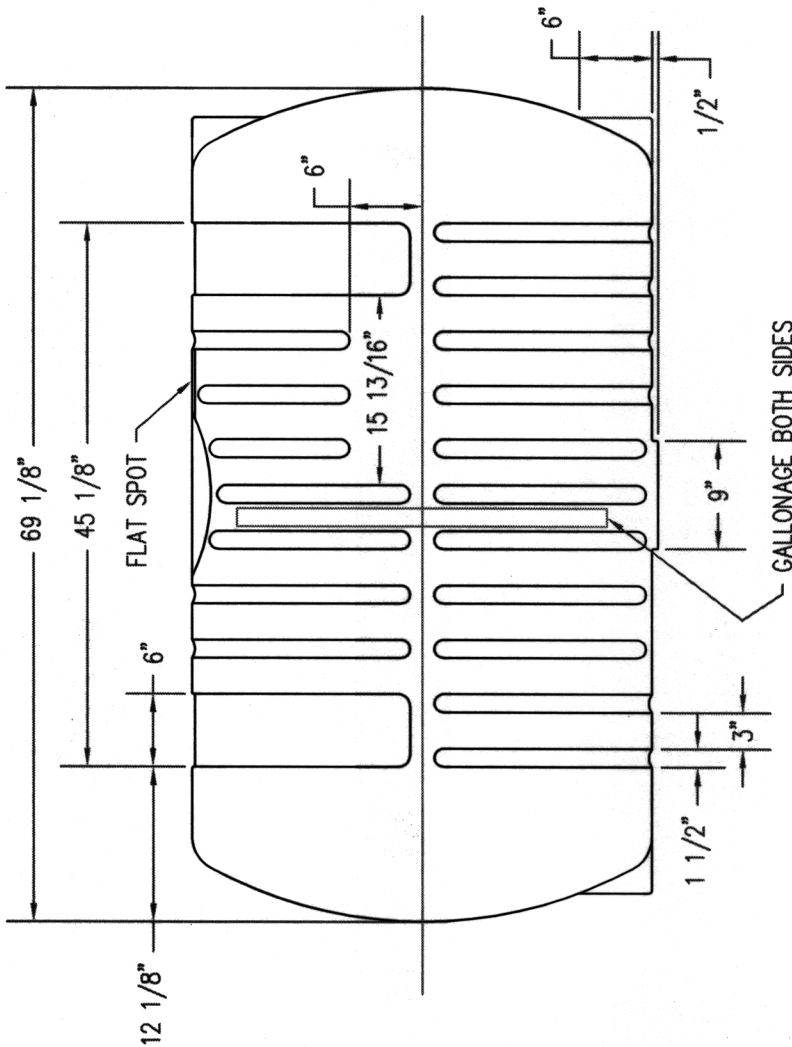


REVISIONS

ZONE	REV	DESCRIPTION	DATE	APPROVED



NORWESCO
ST. BONIFACIUS, MN

300 GALLON APPLICATOR
TANK

JTP	27JUN03	SIZE	FSCM NO.	DWG NO.	REV
		A		47409/47375	
SCALE 1/16				SHEET	